



CIT 650

Multichannel Process Display with Datalogger and Contacts

Functional range

- ▶ direct storing of measured values onto USB memory stick or internal memory
- ▶ data and configuration transfer via USB memory stick or RS-485
- ▶ sampling rate from 1 sec up to 1 h
- ▶ triggering of logging via digital input
- ▶ parameterizable alarms for exceeded input range
- ▶ adjustable contrast and brightness of the display
- ▶ software for parameterization and archiving of measured values

Product characteristics

- ▶ 1, 4 or 8 analogue input channels
- ▶ input signal: 0/4 ... 20 mA
- ▶ 2 contacts
- ▶ graphic LC display
- ▶ transducer power supply 24 V_{DC}
- ▶ communication interface RS-485 (Modbus RTU)
- ▶ front panel housing 96 x 96 mm

Optional versions

- ▶ input signal Pt100/Pt500/Pt1000
- ▶ USB-Host-Port
- ▶ Wall mounted housing 166 x 161 mm

Display modes



- ▶ simultaneous display of max. 8 channels with scaled value and unit or standardized value and bargraph



- ▶ chart display of one channel with scaled value, bargraph and unit (timeline from 12 sec up to 96 h)

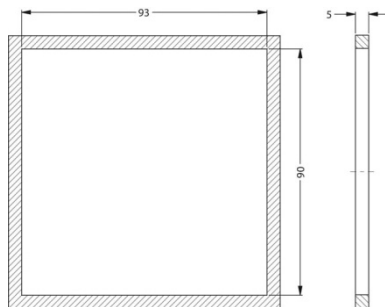


- ▶ single channel display with scaled value, standardized value, bargraph and unit

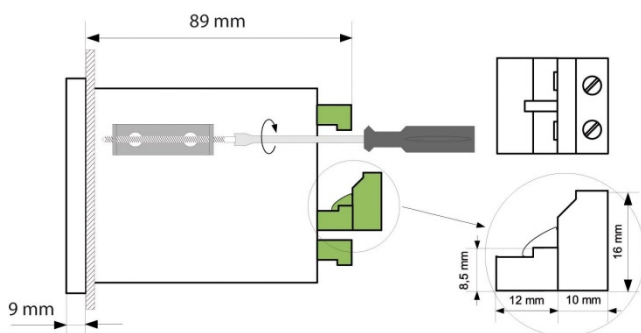


Software (in scope of supply)		
Supply		
Supply voltage	standard: 85 ... 260 V _{AC} or V _{DC}	option: 19 ... 50 V _{DC} / 16 ... 35 V _{AC}
Power consumption	7 VA, max. 12 VA	
Signal input		
Number	1, 4 or 8 inputs ¹	
Input signal	standard: 0/4 ... 20 mA	option: PT100 / PT500 / PT1000
Measuring range	current inputs: ± 9999	temperature inputs: -100 ... 600 °C
Digital	1 input 24 V _{DC} (galvanically separated)	
¹ Inputs with common ground		
Transmitter supply		
DC (without galv. separation)	current inputs: 24 V _{DC} ± 5%, max. 200 mA	temperature inputs: none
Contacts		
Contact	2 independent relay outputs	
Switching voltage	Front panel housing: max. 24 V _{AC}	wall mounted housing: 250 V _{AC}
Switching current	Front panel housing: max. 200 mA (cos φ 1)	wall mounted housing: max. 1 A (cos φ 1)
Communication / Performance		
Communication interface	RS-485 (Modbus RTU)	option: USB-Port
Transmission speed	1200 - 115200 bit/sec.	
Internal memory	2 MB (without USB-Port, 0.5 m. data)	option: 8 MB (with USB-port, 8 m. data)
Type of protection		
Front panel housing	IP 65 (front foil), IP 20 (connectors)	option: IP 40 (front foil, with USB-Port)
Wall mounted housing	IP 65	
Permissible temperatures		
Operating temperature	Front panel housing: 0 ... 60 °C	Wall mounted housing: 0 ... 50 °C
Storage temperature	-10 ... 70 °C	
Electrical protection		
Electrical safety / EMC	EN 61010-1 / EN 61326	
Miscellaneous		
Display	LCD, 128 x 64 points, with backlight	
Accuracy (25 °C)	± 0.1 % FSO	Stability: 0,05 % / 10 K
Housing dimensions	Front panel housing: 96 x 96 x 100 mm	Wall mounted housing: 166 x 161 x 93 mm
Housing material	Front panel housing: NORYL-GFN2S E1	Wandgehäuse: ABS, PC
Mechanical connection (dimensions in mm)		

Front panel housing

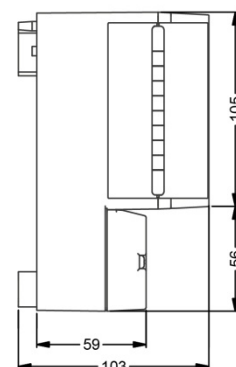
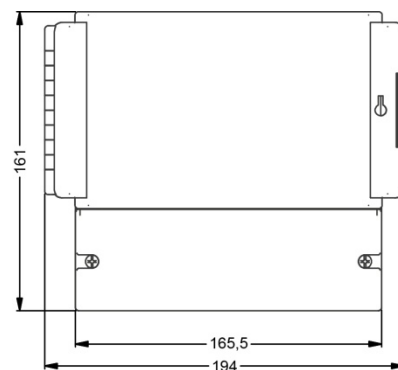


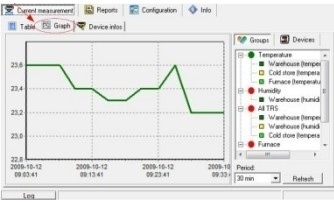
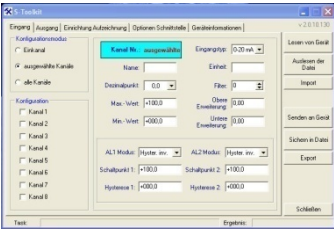



Mounting hole dimensions



dimensions of brackets and connectors

Wall mounted housing



<p>Software LoggySoft</p>	 <p>LoggySoft</p>  <p>S-Toolkit</p>	<p>LoggySoft Program for display (table or chart), archiving, evaluation and export from stored data of CIT 650. The data are imported via USB memory stick or via RS-485 interface. Export of the data is in TXT format. This software is included in scope of supply.</p> <p>S-Toolkit Program for the complete configuration of CIT 650. The data are imported via USB memory stick or via RS-485 interface. This software is included in scope of supply.</p>
<p>Accessories</p>		
<p>Lockable, transparent door</p>	 <p>material number Z900002</p>	<p>Prevents damage of display and increases access protection.</p>
<p>Mini USB Stick 8 GB</p>	 <p>material number Z900024</p>	<p>Enables data and configuration transfer between PC and CIT 650 (even with mounted front door).</p>
<p>Converter RS-485 / USB</p>	 <p>material number CM-3</p>	<p>Enables connection of CIT 650 and PC with USB interface.</p>

© 2016 BD/SENSORS GmbH – The specifications given in this document represent the state of engineering at the time of publishing. We reserve the right to make modifications to the specifications and materials.

Ordering code CIT 650

CIT 650 - - - - - - -

Version						
1 analogue input signal	1					
4 analogue input signals	4					
8 analogue input signals	8					
Input type						
0/4 ... 20 mA	1					
Pt100 , Pt500, Pt1000	2					
customer	9					consult
Supply						
standard: 85 ... 260 V _{AC} / V _{DC}	1					
16 ... 35 V _{AC} / 19 ... 50 V _{DC}	2					
Contacts						
2 contacts		1				
Interface						
standard: RS-485 ¹			1			
RS-485 + USB Host Port			2			
Display foil						
neutral				1	0	0
customer				9	9	9
Special version						
standard					0	0
wall mounted housing					5	0
customer					9	9
accessories						
lockable, transparent door ¹						Z900002
Mini USB Stick 8 GB						Z900024
Converter RS-485 / USB						CM-3

¹ not in combination with wall mounted housing

© 2016 BD|SENSORS GmbH - The specifications given in this document represent the state of engineering at the time of publishing. We reserve the right to make modifications to the specifications and materials.

28.04.2016

