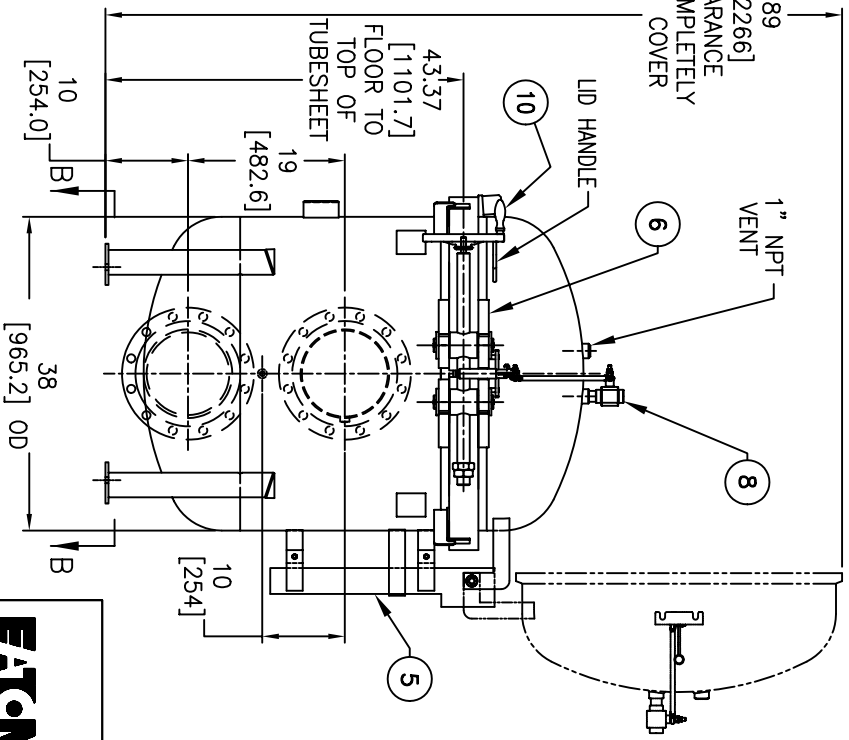
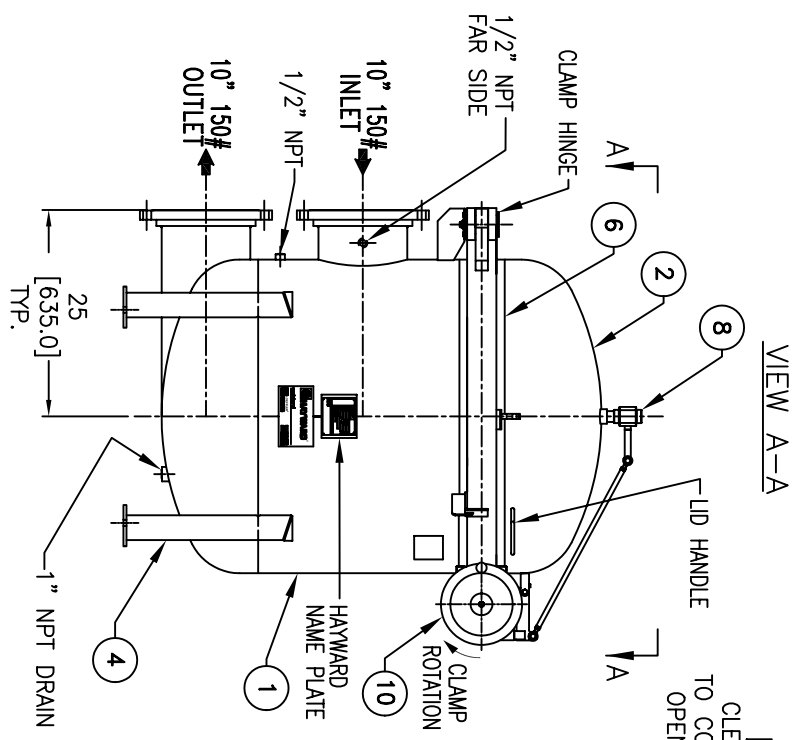
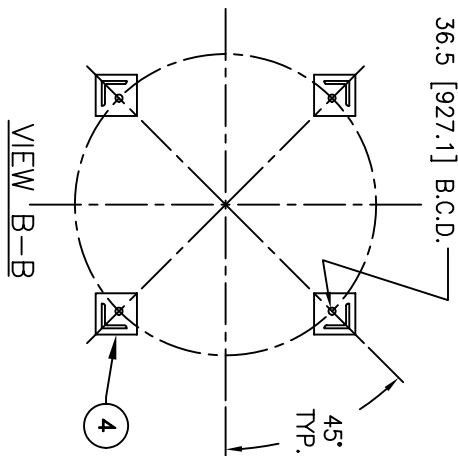


(4) .875 [22.2] Ø BOLT HOLES  
LOCATED ON 36.5 [927.1] B.C.D.



ITEM	PART NAME	MATERIAL
1	BODY	SA240-316/316L
2	COVER	SA240-316/316L
3	O-RING	BUNA-N
4	LEGS	STAINLESS STEEL
5	SPRING ASSISTED MECHANISM	STAINLESS STEEL
6	CLAMP ASSEMBLY	STAINLESS STEEL
7	FILTER BAG HOLD DOWN	316 SS
8	1" VENT VALVE ASSY.	316 SS
9	SPINDLE BOLT	SA193-B7 NEDOX COATED
10	SPINDLE HANDLE	ALUMINIUM

**NOTES:**

1. UNITS ARE DESIGNED, FABRICATED & U STAMPED IN ACCORDANCE WITH ASME SECT. VIII, DIV. 1 BOILER & PRESSURE VESSEL CODE, IN COMPLIANCE TO LATEST ADDENDA.
2. INLET/OUTLET FLANGE CONNECTIONS PER ANSI B16.5
3. DESIGN PRESSURE: 150 PSIG @ 250°F (10.3 BAR @ 121.1°C)
4. ALL DIMENSIONS ARE IN INCHES / [mm]
5. ALL BOLT HOLES STRADDLE NATURAL CENTERLINE.
6. APPROX. WEIGHT (DRY): 1070 lbs. (485 kgs.)
7. APPROX. SHIPPING WEIGHT 1210 lbs. (548 kgs.)

CERTIFIED FOR:  
 P.O. NO.:  
 REG. NO.:  
 QUOTE NO.:  
 TAG NO.:  
 VESSEL CODE: V-MBF-1202-AB10-100A-UT-11SE-L00P  
 PART NUMBER: F3AV1200200L



**EATON FILTRATION, LLC**  
 900 FAIRMOUNT AVENUE, ELIZABETH, NEW JERSEY 07207

NAME: MBF-1202 FILTER VESSEL  
 10"-150# INLET/TANGENTIAL OUTLET  
 SPINDLE TYPE-SE (SSTL)

ELECTRONIC FILE NAME: SE1210TSL.DWG  
 REF. ECR D649  
 DATE 01/04/06

UNAUTHORIZED USE, MANUFACTURE OR REPRODUCTION IN WHOLE OR IN PART IS PROHIBITED. DRAWING, DESIGN AND OTHER DISCLOSURES PROPERTY OF EATON FILTRATION, LLC

DATE	BY	DATE	REV
02/13/04	WB	02/13/04	C

SE1210TSL