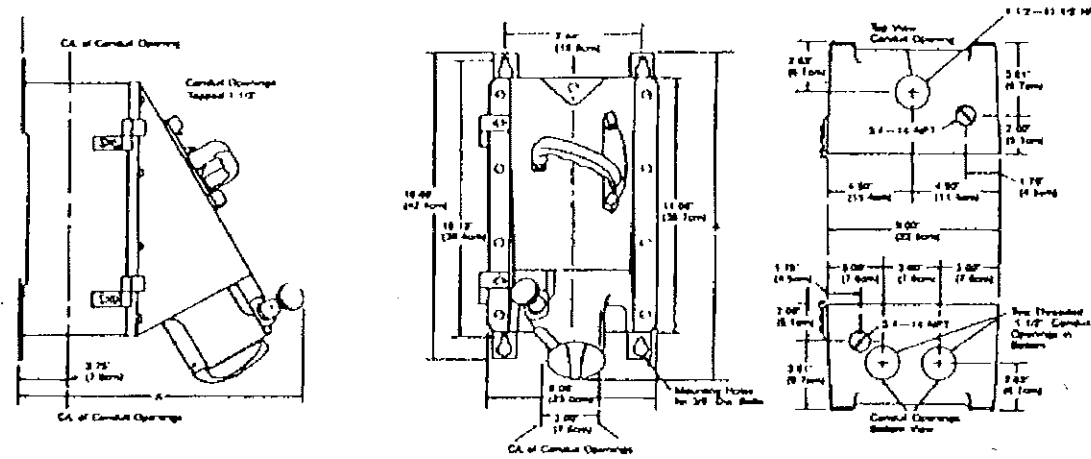


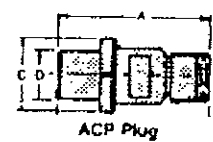
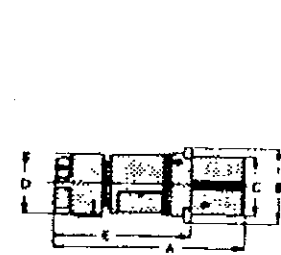
Plug is mechanically locked in receptacle when switch is ON. Design provides interlocked connect and disconnect operation.

Switch operating handle can be pad locked in either "ON" or "OFF" position.

Dimensions of EBRH Receptacles

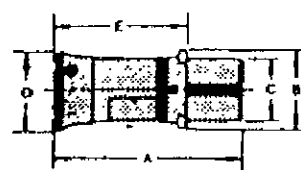


	30 Amp	60 Amp	100 Amp	30 Amp	60 Amp	100 Amp
A	15.00" (38.1cm)	15.00" (38.1cm)	15.44" (39.2cm)	16.13" (41.0cm)	17.69" (44.9cm)	18.36" (46.7cm)



	No. Poles	A	B	C	D
30 Amp	2,3,4	6.00	4.75	3.13	1.86
60 Amp	2,3	7.81	4.94	3.50	2.23
60 Amp	4	7.81	4.94	3.81	2.55
100 Amp	2,3	10.50	6.63	4.00	2.47
100 Amp	4	10.50	6.63	4.25	2.72

CPH 30 Amp Plug



CPH 60 Amp Plug

CPH Plugs

Max. Amps.	Wire/Pole	A	B	C	D	E
30	2W,3P; 3W,4P	6.13	2.38	1.86	1.81	4.44
60	2W,3P	6.44	3.06	2.23	3.31	5.69
60	3W,4P	6.44	3.06	2.55	3.31	5.69

Appleton

ELECTRIC COMPANY

300880-2 INSTRUCTION SHEET

EBRH Receptacles with Interlocked Disconnect Switch: Explosion-Proof, Dust-Ignition-Proof.

Weatherproof Spring Cover—30, 60, and 100 Amps at 600V A.C. Max.
Interlocked Disconnect Switch Safety Construction Grounding thru Extra Pole and Shell

EBRH:
Class I, Div. 1 and 2,
Groups B,C,D
Class II, Div. 1 and 2,
Groups F,G
Class III
NEMA 7BCD,9F'G

I. TO DISASSEMBLE RECEPTACLE INTERIOR

1. Remove polarizing screw & washer
2. Rotate terminal holder counter-clockwise.

II. TO CONNECT CONDUCTORS TO RECEPTACLE INTERIOR

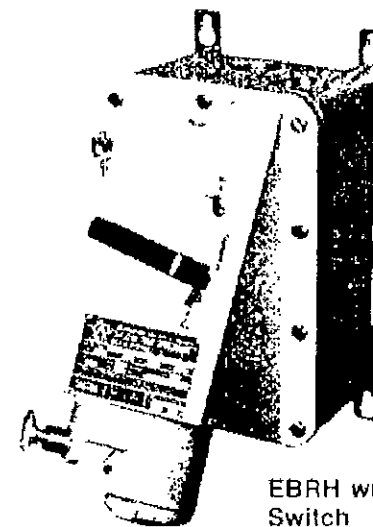
1. Strip insulation from ends of individual conductors
2. Loosen screws in pressure connectors and slide prepared ends of conductors into the connectors, observing proper polarity. Tighten screws.

III. TO REASSEMBLE RECEPTACLE INTERIOR

1. Insert Terminal Holder and turn clockwise until front end is approximately 1/4" inside of casting surface. Recessed radial depression in Terminal Holder must be lined up with polarizing washer/locater. Replace screw through the ground strip.

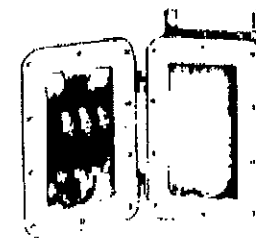
IV. POLARITY & PHASE ROTATION

1. ACP, CPH Plugs and EBRH Receptacle are polarized so that the plug will enter the receptacle only one way.

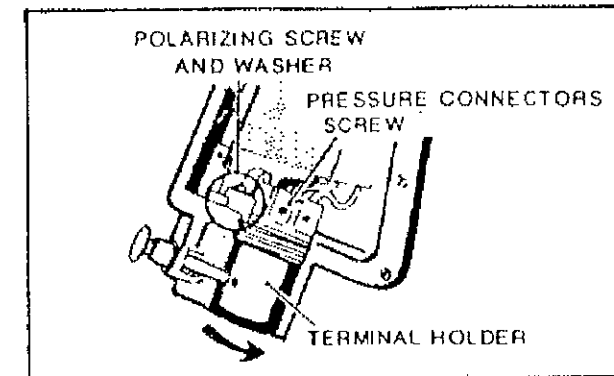


EBRH with Switch

Disconnect switch is mounted within hinged removable cover.



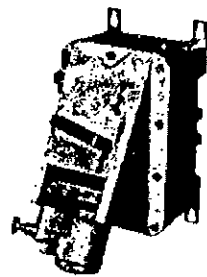
1-1/2" threaded conduit openings--one in top and two in bottom



Solderless lugs are provided for line connections, and receptacle is prewired to the load side of disconnect switch. Cover-mounted components leave entire enclosure space free for pulling of line conductors and wiring.

APPLETON ELECTRIC COMPANY
SUBSIDIARY OF EMERSON ELECTRIC CO.

U.S. Patent No. 3,735,078



EBRH Receptacles with Interlocked Disconnect Switch: Explosion-Proof, Dust-Ignition-Proof.

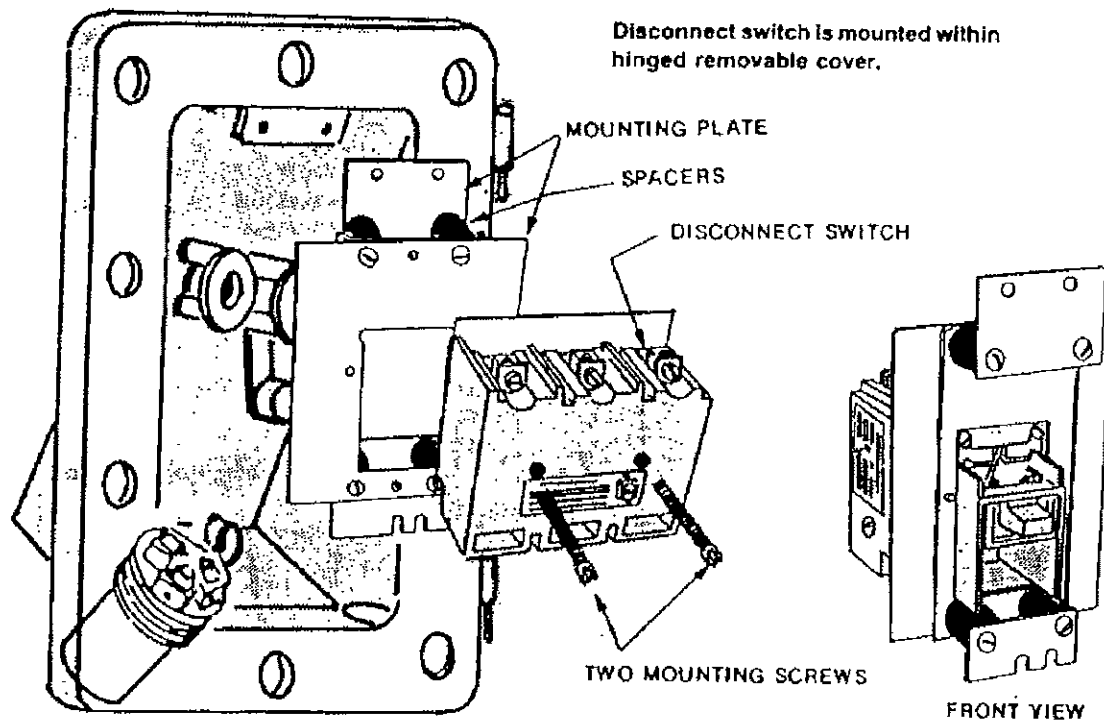
Weatherproof Spring Cover—30, 60, and 100 Amps at 500V A.C. Max.
Interlocked Disconnect Switch Safety Construction. Grounding thru Extra Pole and Shell.

Do not use in Group F locations which contain electrically conductive dust.



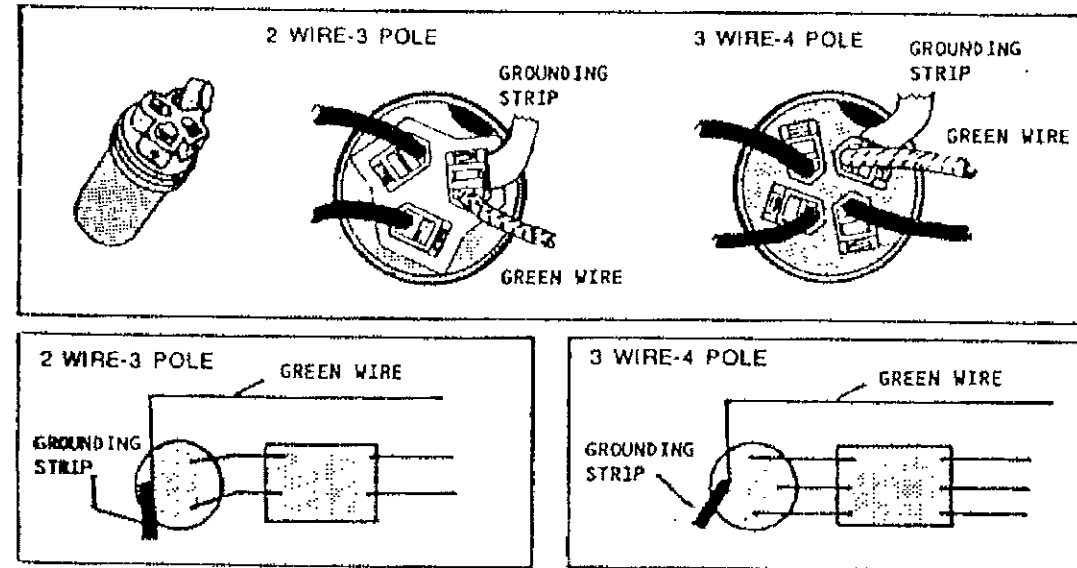
FIELD WIRING INSTRUCTIONS TO CONNECT FIELD WIRING CONDUCTORS.

1. REMOVE PRESSURE WIRE CONNECTOR BUSS BAR OF SWITCH BY LOOSENING AND REMOVING RETAINING SCREW.
2. ATTACH PRESSURE WIRE CONNECTOR TO END OF LINE CONDUCTOR. WIRE MUST BE FLASH WITH END OF CONNECTOR.
3. REPOSITION TERMINAL UNDER BUSS BAR.
4. REINSERT AND TIGHTEN RETAINING SCREW.



Disconnect switch is to be mounted (with the front of the disconnect switch facing the inside of the cover) by means of two screws through the back of the disconnect switch, through the spacers and into the mounting plate which are then fastened onto the inside of the cover.

*Do not use where electrically conductive dusts are present (most coal dusts are *not* electrically conductive). Per NEC 502-1, there are only Div. 1 locations where electrically conductive dusts are present.



EBR Plugs and Receptacles

ACP Plugs for EBR, EBRH and DBR Receptacles

ACP Plug	Cable Dia., Inches	30 Amp		60 Amp		100 Amp	
		2W,3P	3W,4P	2W,3P	3W,4P	2W,3P	3W,4P
	.390 to 1.375	ACP3023BC	ACP3034BC	ACP6023BC	ACP6034BC		
	.875 to 1.906					ACP1023CD	ACP1034CD

CPH Plugs for EBR, EBRH and DBR Receptacles

CPH 30 Amp Plug	CPH 60 Amp Plug	Cable Dia., Inches	30 Amp		60 Amp		100 Amp	
			2W,3P	3W,4P	2W,3P	3W,4P	2W,3P	3W,4P
		.500 to .750			CPH6023A	CPH6034A		
		.500 to .875	CPH3023B	CPH3034B				
		.750 to 1.000			CPH6023B	CPH6034B		
		1.000 to 1.375			CPH6023C	CPH6034C		

ACP Plug Equivalents

ACP Plug	Cable Diameter, Inches	Wire Pole	Catalog Number	
			Crouse-Hinds	Appleton
30 Amp Plugs	.390 to 1.375	2W,3P	APJ3385	ACP3023BC
	.390 to 1.375	3W,4P	APJ3485	ACP3034BC
60 Amp Plug	.390 to 1.375	2W,3P	APJ6385	ACP6023BC
	.390 to 1.375	3W,4P	APJ6485	ACP6034BC
100 Amp Plug	.875 to 1.906	2W,3P	APJ10387	ACP1023CD
	.875 to 1.906	3W,4P	APJ10487	ACP1034CD

Appleton ACP Plugs are mechanically and electrically interchangeable with Crouse-Hinds APJ plugs as listed at right.

INTERMATEABILITY CHART

RECEPTACLE RATING	APPLETON RECEPTACLE CAT. NO.	APPLETON PLUG RATING	APPLETON PLUG RATING	CROUSE-HINDS PLUG CAT. NO.
600 VAC, 30A	EBRH3023DS	600 VAC, 30A	ACP3023BC	APJ3385
600 VAC, 30A	EBRH3034DS	600 VAC, 30A	ACP3034BC	APJ3485
600 VAC, 60A	EBRH6023DS	600 VAC, 60A	ACP6023BC	APJ6385
600 VAC, 60A	EBRH6034DS	600 VAC, 60A	ACP6034BC	APJ6485

Note:
 The Appleton "EBRH" Receptacles and "ACP" Plugs are UL Listed Combinations.
 The Appleton "EBRH" Receptacles with Crouse-Hinds UL Listed "APJ" Series Plugs are UL Classified Combinations. Classifications are for Class I, Div. 1, Groups B, C and D.