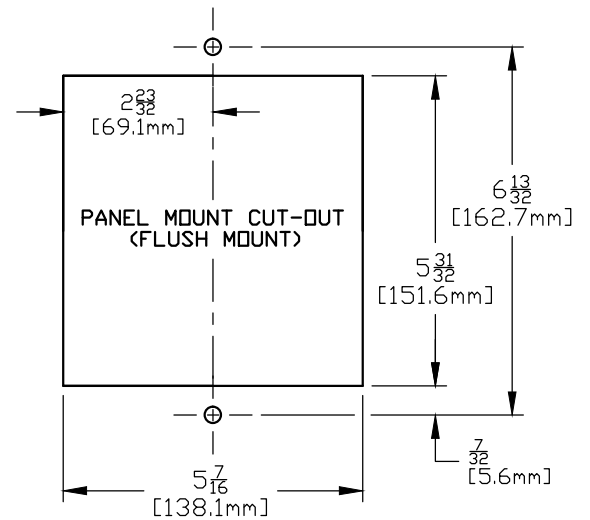
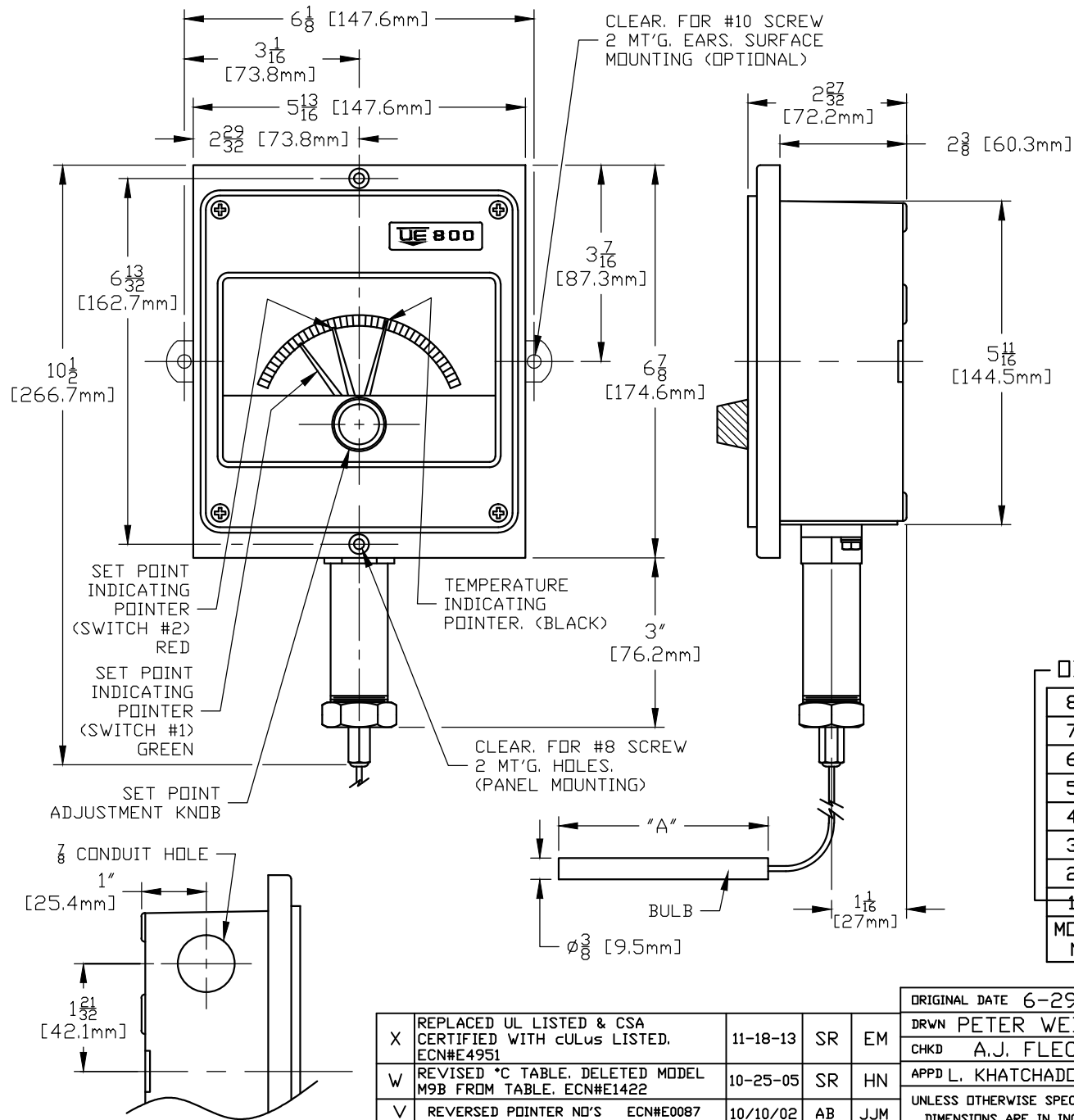


cULus LISTED
NEMA 1
I & M SHEET IM800



— OBS. DC#27431

8BS	50 TO 650	10 TO 343.3	3 1/4	82.6mm
7BS	0 TO 400	-17.8 TO 204.4	3"	76.2mm
6BS	0 TO 250	-17.8 TO 121.1	4 1/2	114.3mm
5BS	-40 TO 180	-40 TO 82.2	5"	127.0mm
4BS	-40 TO 120	-40 TO 48.9	6 3/4	171.5mm
3BS	-125 TO 500	-87.2 TO 260	2 1/8	54.0mm
2BS	-125 TO 350	-87.2 TO 176.7	2 1/16	62.0mm
1BS	-180 TO 120	-117.8 TO 48.9	3 3/4	95.3mm
MODEL NO.	°F	°C	"A" DIM.	BULB
	ADJUSTABLE RANGE			

THIS DOCUMENT IS PROPRIETARY PROPERTY OF UNITED ELECTRIC CONTROLS. UNAUTHORIZED USE IS STRICTLY PROHIBITED.

SYM	DESCRIPTION	DATE	DWN	APPD
X	REPLACED UL LISTED & CSA CERTIFIED WITH cULus LISTED. ECN#E4951	11-18-13	SR	EM
W	REVISED °C TABLE. DELETED MODEL M9B FROM TABLE. ECN#E1422	10-25-05	SR	HN
V	REVERSED POINTER NO'S ECN#E0087	10/10/02	AB	JJM
U	REDRAWN. CONDUIT HOLE WAS ON RIGHT SIDE. ECN#C7139	3-11-98	P.W.	A.M.

REVISIONS

ORIGINAL DATE 6-29-87
DRWN PETER WEILER
CHKD A.J. FLECCA
APPD L. KHATCHADDURIAN
UNLESS OTHERWISE SPECIFIED DIMENSIONS ARE IN INCHES

TITLE
802
LEXAN
ENCLOSURE

SCALE 0.375:1



UNITED ELECTRIC CONTROLS COMPANY
WATERTOWN * MASSACHUSETTS

DWG NO
A-12764

DF001D

DO NOT SCALE THIS DRAWING