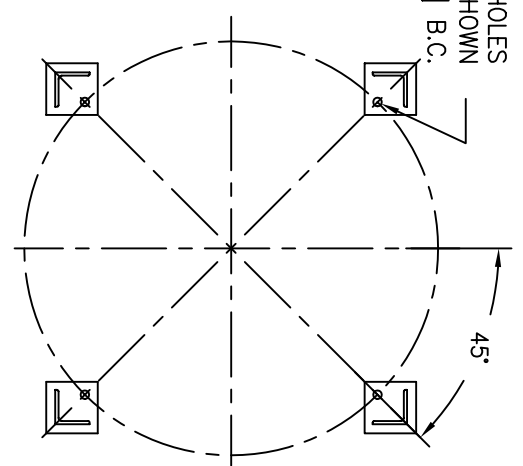


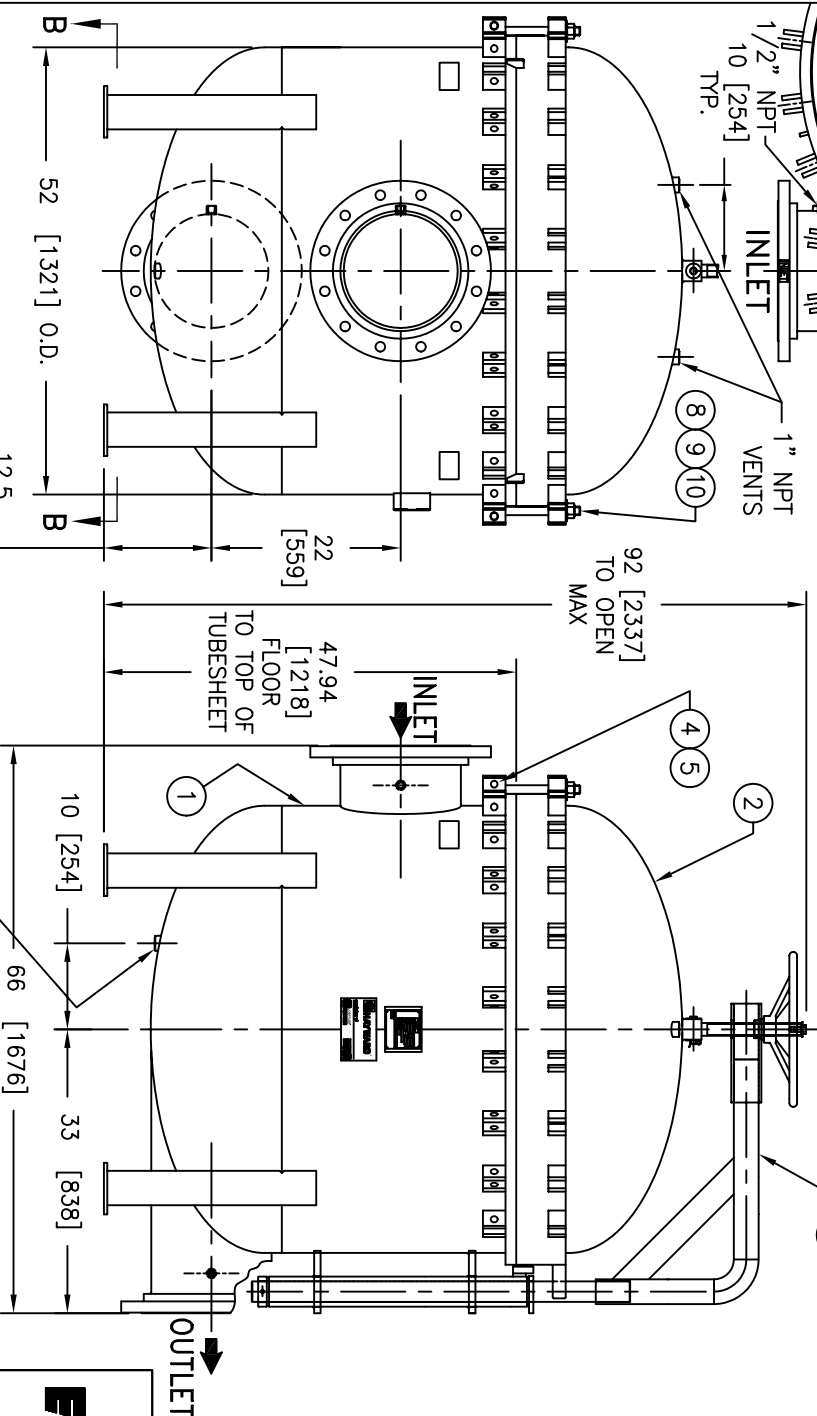
(4) 1"  $\phi$  [22 $\phi$ ] BOLT HOLES  
 LOCATED AS SHOWN  
 ON 48.13 $\phi$  [1222 $\phi$ ] B.C.



ITEM	PART NAME	MATERIAL
1	BODY	SA516 GR 70
2	COVER	SA516 GR 70
3	O-RING	BUNA-N
4	PIN	SA193 B7 ZINC PL
5	SNAP RING	STEEL ZINC PL
6	BASKET RESTRAINER	316 SS
7	FILTER BAG RETAINER	316 SS
8	EYE BOLT	SA193 B7 ZINC PL
9	HEX NUT	SA194 2H ZINC PL
10	WASHER	STEEL ZINC PL
11	DAVIT ASSEMBLY	CARBON STEEL

**NOTES:**

- UNITS ARE TO BE DESIGNED, FABRICATED & "U" STAMPED IN ACCORDANCE WITH ASME SECT. VIII, DIV. 1 BOILER & PRESSURE VESSEL CODE, IN COMPLIANCE TO LATEST ADDENDA.
- INLET / OUTLET FLANGE CONNECTIONS PER ANSI B 16.5.
- DESIGN PRESSURE: 150 PSI (MAMP)  
 DESIGN TEMPERATURE 250° F.  
 MDMT - -20° F @ 150 PSI.
- ALL DIMENSIONS ARE IN INCHES / (MM).
- ALL BOLT HOLES ARE TO STRADDLE NATURAL CENTERLINES.
- APPROX. WEIGHT (DRY) 2730 LB. (1238 KG.)
- PAINT C/STL. PER HAYWARD STANDARD ES-301.



CERTIFIED FOR:  
 P.O. NO.:  
 REG. NO.:  
 QUOTE NO.:  
 TAG NO.:  
 VESSEL CODE: MBF-2202-CS10-140A-UT-13HD  
 PART NUMBER: F3AV2200004

EATON  
 900 FAIRMOUNT AVENUE, ELIZABETH, NEW JERSEY 07207  
**EATON FILTRATION, LLC**  
 NAME: MAXILINE MBF2202HD FILTER VESSEL  
 14" 150# RF INLET / TANGENTIAL OUTLET  
 CARBON STEEL

UNAUTHORIZED USE, MANUFACTURE OR REPRODUCTION IN WHOLE OR IN PART IS PROHIBITED. DRAWING, DESIGN AND OTHER DISCLOSURES PROPERTY OF EATON FILTRATION, LLC

ELECTRONIC FILE NAME: HD2214TC.DWG  
 REF. ECR D666 DATE 01/23/06

SIZE	DWG NO	DATE	REV
A		12/28/00	5/1/01

HD2214TC