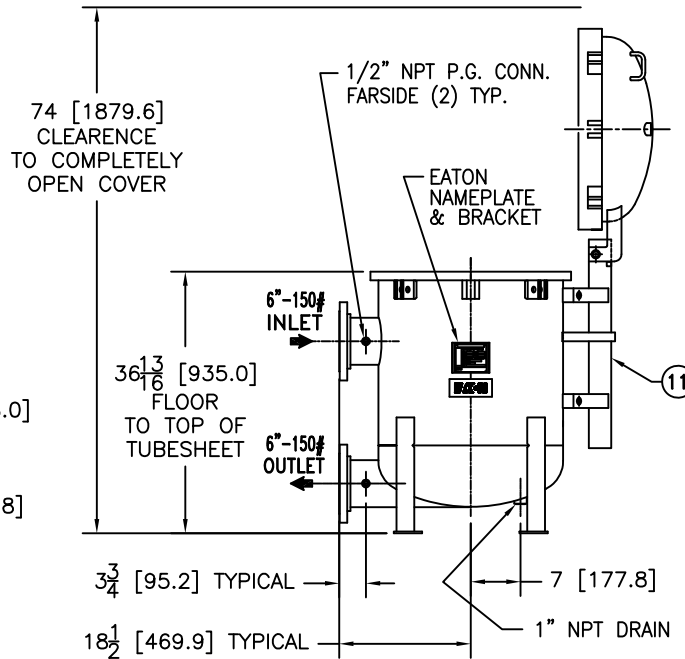
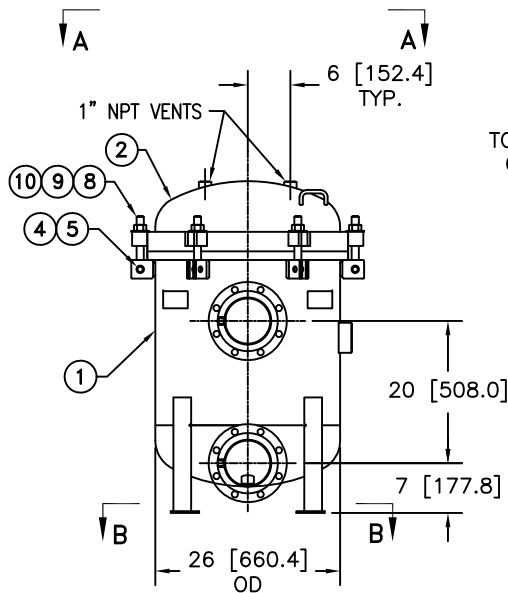
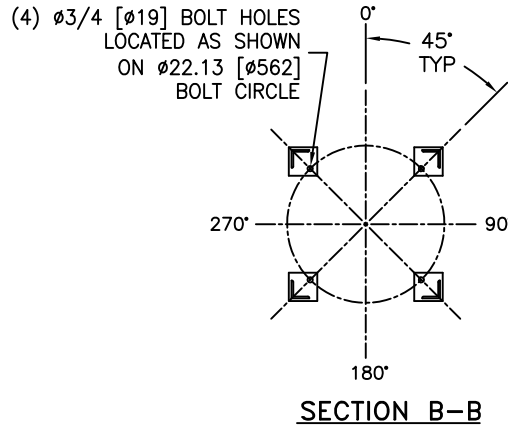
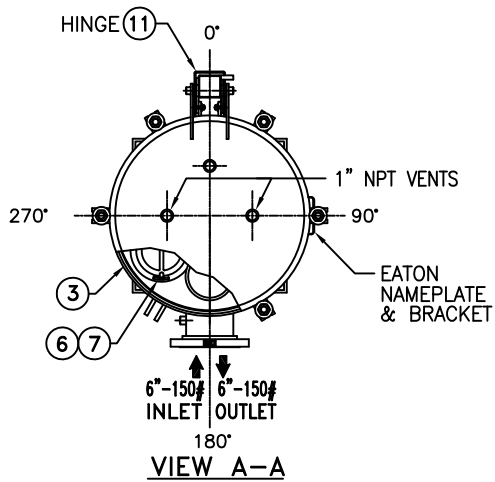


REVISIONS

REV	DESCRIPTION	BY	ECO	DATE
J	UPDATE DRAWING HINGE TUBE	FJM	0128493	10/26/16



ITEM	PART NAME	MATERIAL
1	BODY	SA240-316/316L
2	COVER	SA240-316/316L
3	O-RING P/N 2375036593	BUNA-N
4	PIN	SA193 B7 ZINC PL
5	SNAP RING	STEEL ZINC PL
6	RESTRAINER BASKET P/N L0001753	316 SS
7	FILTER BAG RETAINER	316 SS
8	EYE BOLT	SA354 BD ZINC PL
9	HEX NUT	SA194 2H ZINC PL
10	WASHER	STEEL ZINC PL
11	SPRING ASSISTED MECHANISM	STAINLESS STEEL

NOTES:

1. UNITS ARE DESIGNED, FABRICATED AND "U" STAMPED IN ACCORDANCE WITH THE ASME BOILER & PRESSURE VESSEL CODE SECTION VIII, DIVISION 1, IN COMPLIANCE TO CURRENT MANDATORY EDITION.
2. INLET / OUTLET FLANGE CONNECTIONS PER ANSI B 16.5.
3. DESIGN PRESSURE: 150 PSI (MAWP)  
DESIGN TEMPERATURE 250° F.  
MDMT - -20° F @ 150 PSI.
4. DIMENSIONS SHOWN IN [ ] ARE IN MILLIMETERS AND/OR REFERENCE ONLY. ACCEPTANCE OF THIS PART WILL BE BASED ON "INCH" UNITS & TOLERANCES ONLY.
5. ALL BOLT HOLES ARE TO STRADDLE NATURAL CENTERLINES.
6. APPROX. WEIGHT (DRY) 810 LB. (367 kgs.)
7. APPROX. SHIPPING WEIGHT 935 LB. (424 kgs.)

**TOLERANCES (UNLESS OTHERWISE SPECIFIED)**

DECIMAL:	.X ± .030
	.XX ± .010
	.XXX ± .005
FRACTIONAL:	± 1/16
NOZZLE Ø TO FLOOR:	1/8" < 4" > 1/4"
FACE TO FACE:	1/8" < 4" > 1/4"
ANGULAR:	± 1°
FLANGES (H/V):	± 1/2°
VESSEL OVERALL HT:	1"

BOLT HOLES MUST STRADDLE Ø MACHINED PARTS TO BE FREE OF BURRS FOR ADDITIONAL TOLERANCE DETAILS REF. ES-211, ES-222 AND ES-223

REVIEWED FOR CLASSIFICATION PER PR-4  
 CRITICAL SIGNIFICANT

CUSTOMER INFO	
NAME	
P.O. NO.	
S.O. NO.	
QUANTITY	
PART NO.	F3AV060001L

DRAWN BY	FJM
SCALE	AS DRAWN
RESTRICTION	RESTRICTED
SHEET	1 OF 1
PROJECTION	THIRD ANGLE

VESSEL CODE: MBF-0602-AB10-060A-UT-11HE-LOOP			
		HYDRAULICS GROUP FILTRATION DIVISION GALESBURG, MICHIGAN, USA • TINTON FALLS, NEW JERSEY, USA	
TITLE MAXILINE (MBF-0602 HE) FILTER VESSEL 6" 150# RF INLET / TANGENTIAL OUTLET SS-316 W/BUNA O-RING			
DATE	05/15/03	SIZE	A
DWG FILENAME	HE0606TSL	REV	J

EATON CORPORATION - CONFIDENTIAL AND PROPRIETARY NOTICE TO PERSONS RECEIVING THIS DRAWING AND/OR TECHNICAL INFORMATION THIS DOCUMENT, INCLUDING THE DRAWING AND INFORMATION CONTAINED THEREIN IS CONFIDENTIAL AND IS THE EXCLUSIVE PROPERTY OF EATON AT ANY TIME. BY TAKING THE POSSESSION OF THIS DOCUMENT THE RECIPIENT ACKNOWLEDGES AND AGREES THAT THIS DOCUMENT CANNOT BE USED IN ANY MANNER ADVERSE TO THE INTEREST OF EATON AND THAT NO PORTION OF THIS DRAWING MAY BE COPIED OR OTHERWISE REPRODUCED WITHOUT THE PRIOR WRITTEN CONSENT OF EATON. IN THE CASE OF CONFLICT CONTRACTUAL PROVISIONS, THIS NOTICE SHALL GOVERN THE STATUS OF THIS DOCUMENT.  
 ©2016 EATON CORPORATION - ALL RIGHTS RESERVED.