

# EB Series Bolt-ON Series Circuit Breakers and Enclosures

## Explosionproof, Dust-Ignitionproof

### CEC:

Class I, Groups B, C, D

Class II, Groups E, F, G

Class III

NEMA 3R, 4<sup>+</sup>, 4X<sup>+</sup>, 7BCD, 9EFG, 12

### Application

- These compact, rugged enclosures are used for protection and control of electrical equipment and circuits in:
  - Hazardous locations
  - Damp or wet locations
  - Corrosive locations
- The thermal magnetic breakers provide short circuit protection and thermal time delay overload protection, plus a disconnect means for service entrance, feeder or branch circuits used for lighting, heating, motors and equipment.

### Features

- Enclosure housings feature lightweight, corrosion resistant, spark-proof, copperfree aluminum with an epoxy coat for corrosion resistant construction.
- Enclosures have hinged, removable covers secured by “quick-bolts”. Mating surfaces are precision ground to explosionproof specifications.
- Captive “quick-bolts” allow fast, easy release of cover with a few turns on each. Bolts have hex head with screwdriver slot.
- Covers are hinged on left side and are removable. Provides easy access to interior for installation and maintenance. The hinged cover may be left in place to help protect the explosionproof machined surface during routine maintenance.
- Breaker handles are rugged and positive operating. The breaker actuator is designed to self-locate on the breaker handle. This unique feature prevents damage to the breaker toggle if the door is closed without aligning handle with breaker toggle position.
- Handle will accommodate up to 3 locks.
- Enclosures feature compact, easy to install design. Four removable mounting lugs with key holes, permitting easy installation for rack or individual mounting.
- Standard conduit openings are located top and bottom for line and load. Additional openings on top and bottom for drain and breather are also provided, with close-up plugs.
- Interior components are mounted on easily removable pan. Complete removal of this assembly gives full access to enclosure interior for wire pulling.

### Standard Materials

- Housings: copperfree (4/10ths of 1%) aluminum
- Operating shafts: stainless steel with stainless steel bushings
- Breaker actuator: spring steel
- Bolts: stainless steel

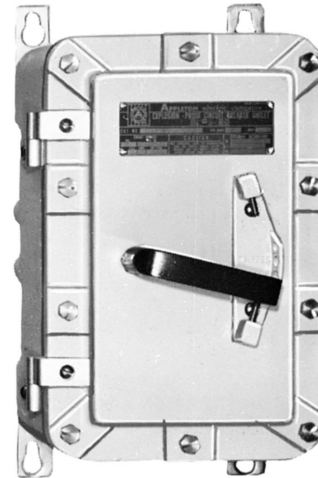
### Standard Finishes

- Exterior housing surfaces: epoxy coated

### Options

Must be listed in alphanumeric sequence at the end of the catalog number.

- Grounded neutral lug, add suffix —**GNL**.
- Insulated neutral lug, add suffix —**INL**.
- Drain and breather set, add suffix —**DV**.
- For CSA 4X, add suffix —**4X**. (not suitable for Group B)
- For +50 °C (+122 °F) breaker rating, add suffix —**V**.



### CEC Certifications and Compliances

- CSA Standard: C22.2 No. 5.1, C22.2 No. 25, No. 30
- CSA Certified: 150241

▼ For CSA 4X, add suffix -4X (not suitable for Group B)

# EB Series Bolt-ON Series Circuit Breakers and Enclosures

## Explosionproof, Dust-Ignitionproof

### CEC:

Class I, Groups B, C, D

Class II, Groups E, F, G

Class III

NEMA 3R, 4<sup>+</sup>, 4X<sup>+</sup>, 7BCD, 9EFG, 12

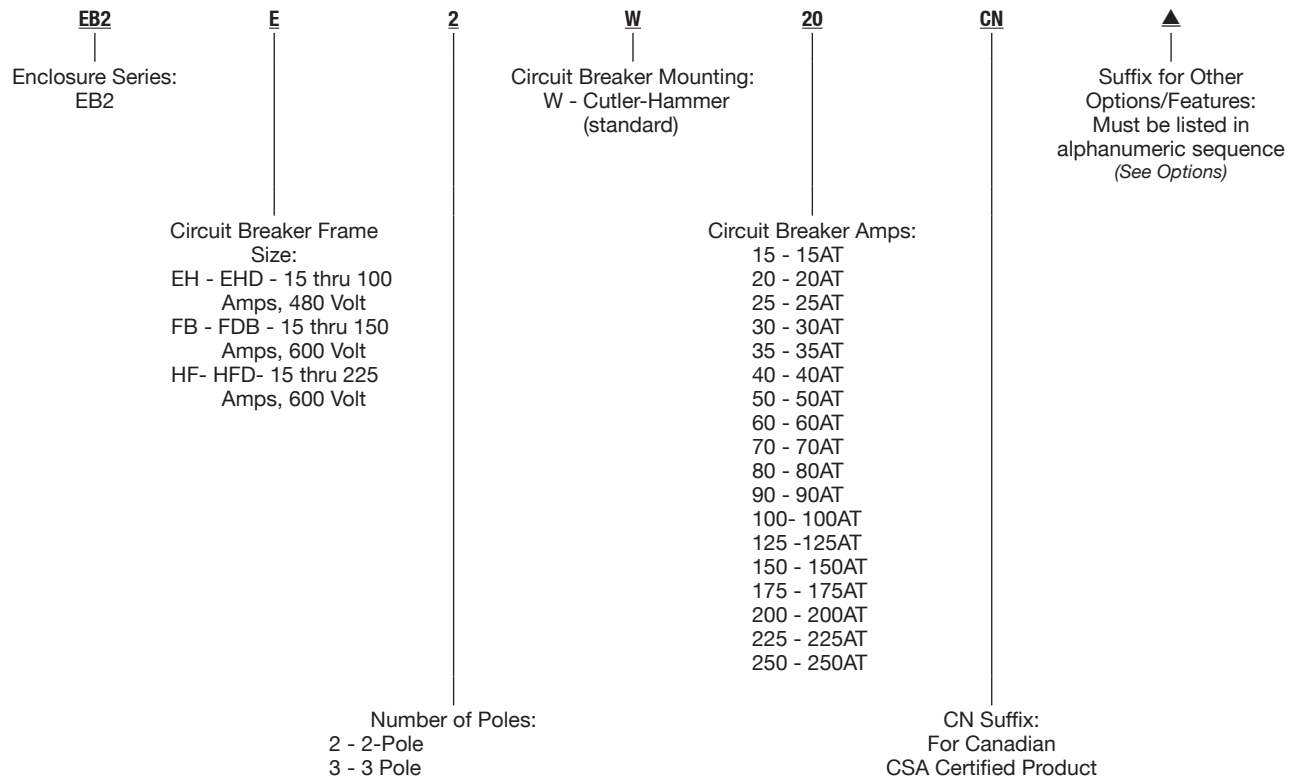
### Ordering Instructions

Provide catalog number from listing tables. Enclosures are supplied with Cutler-Hammer circuit breakers as standard.

### Catalog Number Explanation

Appleton catalog numbers incorporate a simple, systemized method of designating enclosure and component specifications. For example, an EB Series enclosure with breaker is cataloged as follows:

### Catalog Numbering Guide



DISTRIBUTION EQUIPMENT: NEC/CEC EXPLOSIONPROOF CIRCUIT BREAKERS

APPLETON

▲ To complete the catalog number please add the appropriate suffix for other options/features. These suffixes can be found in the modifications table in this section.

▼ For CSA 4X, add suffix -4X (not suitable for Group B)

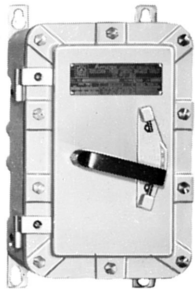
+ Cutler-Hammer is a registered trademark of Eaton Corporation.

# EB Series Frame Bolt-ON Series Circuit Breakers and Enclosures

Explosionproof, Dust-Ignitionproof

CEC:  
 Class I, Groups B, C, D  
 Class II, Groups E, F, G  
 Class III  
 NEMA 3R, 4 $\nabla$ , 4X $\nabla$ , 7BCD, 9EFG, 12

DISTRIBUTION EQUIPMENT: NEC/CEC EXPLOSIONPROOF CIRCUIT BREAKERS



EB2

Circuit Breaker					
No. of Poles	Amp. Rating	Tap Size ①	With Breaker		
EHD Frame — 15 Amps thru 100 Amps 480 Vac or 250 Vdc (60 Hz)					
2	15	1-1/2	EB2EH2W15CN		
	20		EB2EH2W20CN		
	30		EB2EH2W30CN		
	40		EB2EH2W40CN		
	50		EB2EH2W50CN		
	70	2	EB2EH2W70CN		
	90		EB2EH2W90CN		
	100		EB2EH2W100CN		
	3		15	1-1/2	EB2EH3W15CN
			20		EB2EH3W20CN
30		EB2EH3W30CN			
40		EB2EH3W40CN			
50		EB2EH3W50CN			
70		2	EB2EH3W70CN		
90			EB2EH3W90CN		
100			EB2EH3W100CN		

① Conduit openings are tapped to size shown. A removable reducer bushing is furnished for each opening which, when installed, makes the conduit opening one size smaller.

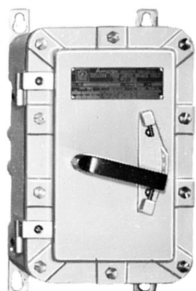
▼ For CSA 4X, add suffix -4X (not suitable for Group B)

# EB Series Bolt-ON Series Circuit Breakers and Enclosures

Explosionproof, Dust-Ignitionproof

CEC:  
 Class I, Groups B, C, D  
 Class II, Groups E, F, G  
 Class III  
 NEMA 3R, 4<sup>▼</sup>, 4X<sup>▼</sup>, 7BCD, 9EFG, 12

Circuit Breaker			
No. of Poles	Amp. Rating	Tap Size ①	With Breaker
<b>FDB Frame — 15 Amps thru 150 Amps 600 Vac or 250 Vdc (60 Hz)</b>			
2	15	1-1/2	EB2FB2W15CN
	20		EB2FB2W20CN
	30		EB2FB2W30CN
	40		EB2FB2W40CN
	50		EB2FB2W50CN
	70	2	EB2FB2W70CN
	90		EB2FB2W90CN
	100		EB2FB2W100CN
	125		EB2FB2W125CN
	150		EB2FB2W150CN
3	15	1-1/2	EB2FB3W15CN
	20		EB2FB3W20CN
	30		EB2FB3W30CN
	40		EB2FB3W40CN
	50		EB2FB3W50CN
	70	2	EB2FB3W70CN
	90		EB2FB3W90CN
	100		EB2FB3W100CN
	125		EB2FB3W125CN
	150		EB2FB3W150CN
<b>HFD Frame- 15 Amps thru 225 Amps, 600 Vac or 250 Vdc (60 Hz)</b>			
2	15	1-1/2	EB2HF2W15CN
	20		EB2HF2W20CN
	30		EB2HF2W30CN
	40		EB2HF2W40CN
	50		EB2HF2W50CN
	60	2	EB2HF2W60CN
	70		EB2HF2W70CN
	90		EB2HF2W90CN
	100		EB2HF2W100CN
	125		EB2HF2W125CN
150	1-1/2	EB2HF2W150CN	
175		EB2HF2W175CN	
200		EB2HF2W200CN	
225		EB2HF2W225CN	
3		15	1-1/2
	20	EB3HF2W20CN	
	30	EB3HF2W30CN	
	40	EB3HF2W40CN	
	50	EB3HF2W50CN	
	60	2	EB3HF2W60CN
	70		EB3HF2W70CN
	90		EB3HF2W90CN
	100		EB3HF2W100CN
	125		EB3HF2W125CN
150	1-1/2	EB3HF2W150CN	
175		EB3HF2W175CN	
200		EB3HF2W200CN	
225		EB3HF2W225CN	



EB2

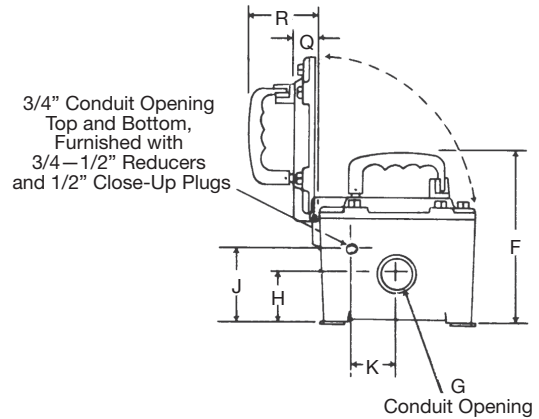
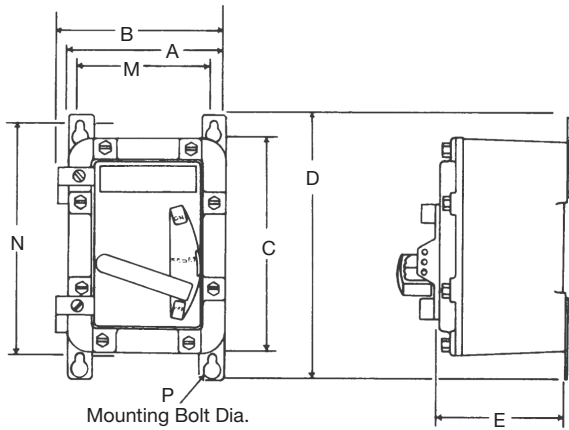
① Conduit openings are tapped to size shown. A removable reducer bushing is furnished for each opening which, when installed, makes the conduit opening one size smaller.

▼ For CSA 4X, add suffix -4X (not suitable for Group B)

# EB Series Bolt-ON Series Circuit Breakers and Enclosure

Explosionproof, Dust-Ignitionproof

CEC:  
 Class I, Groups B, C, D  
 Class II, Groups E, F, G  
 Class III  
 NEMA 3R, 4 $\nabla$ , 4X $\nabla$ , 7BCD, 9EFG, 12



DISTRIBUTION EQUIPMENT: NEC/CEC EXPLOSIONPROOF CIRCUIT BREAKERS

## Dimensions in Millimeters (Inches)

Catalog Numbers	
Dim.	EB2
A	196.8 (7.75)
B	209.5 (8.25)
C ②	308.1 (12.13)
D	374.6 (14.75)
E	165.1 (6.50)
F	225.5 (8.88)
H	57.9 (2.38)
J	86.6 (3.41)
K	65.0 (2.56)
M	155.7 (6.13)
N	336.5 (13.25)
P	9.5 (0.375)
Q	26.6 (1.50)
R	98.5 (3.88)

## Approximate Weight Kilograms (Pounds) ①

Catalog Numbers	
	EB2
Enclosure Only	12.23 (27)
With Interior	14.95 (33)

① Approximate weights with breaker reflect largest size that will fit in each respective enclosure.

② For drain and breather set, add 50.8 mm (2") to dimension "C". Close-up plugs furnished when enclosures are ordered without drains and breathers.

▼ For CSA 4X, add suffix -4X (not suitable for Group B)