

Type 23DDG MiniGauge®



FEATURES...

- **Compact size – 23mm (.906") diameter**
- **ABS case with acrylic window ultrasonically welded to case**
- **Wrench flats on socket for easy installation**
- **Available in 60-300 psi**
- **Direct Drive technology for excellent shock resistance**

In the world of compact operating systems, microcomputer chips, miniature pneumatics and general equipment downsizing, Ashcroft® instruments are keeping up with the times.

The Ashcroft® MiniGauge® is designed for those applications where space is a limiting factor. At 23mm, the compact MiniGauge® is smaller than 1" in diameter and available in 60 psi through 300 psi ranges. Taking into consideration the small size of the MiniGauge®, the dial face was designed for maximum readability. This product is offered in 1/8" NPT back connection with 15 mm (9/16") wrench flats for easy installation.

The versatile Ashcroft® MiniGauge® surpasses the demands of durability in two important ways: first, by using direct drive reading, the spiral tube transmits motion directly to the pointer – no gears or movement parts to wear out; and second, the case material is an ABS blend that is both enduring and attractive.

The Ashcroft® MiniGauge® is ideal for a multitude of applications where a 1 1/2" conventional size gauge is too large.

COMMONLY USED ON

Mini FRLs, pneumatic stack valves, air compressors and accessories, medical/dental equipment, a variety of other applications

PRODUCT SPECIFICATIONS

Ashcroft Model No.:	23DDG
Size:	23mm (.906")
Case:	Black, ABS blend
Ring:	None
Window:	Polycarbonate, ultrasonically welded to case
Dial:	Black figures on white background, aluminum
Pointer:	Brass, painted black
Bourdon Tube:	Beryllium copper, spiral; soft soldered to socket
Movement:	None (direct drive reading)
Socket:	Brass with 15mm (9/16") wrench flats
Connection:	1/8" NPT back

Ranges:	Dial Arc	
	180°	235°
0/60	●	
0/100	●	
0/160		●
0/200		●
0/300		●

Repeatability:	Better than 1%
Accuracy:	±5% full scale
Operating Temperature:	-40°F to 150°F, -40°C to 65°C
Packaging:	Bulk pack; individually sealed in 2 mil polybags

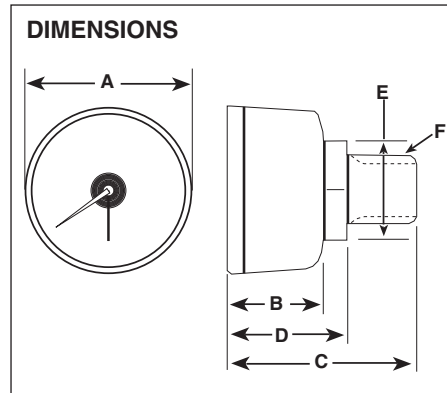
OPTIONAL FEATURES

Socket:	Throttle plugs; 10/32" threads; PT 1/8 (JIS) and R 1/8 (BSPT) threads
Dial:	Customized
Dampening:	Silicone-dampened coil for vibration applications

HOW TO ORDER (Typical example)

	23	DDG	01B	60#
Dial Size: 23mm (0.906" or 29/32")	_____			
Case Type Number: Direct Drive Gauge	_____			
Connection Size/Location: 1/8" NPT Back	_____			
Range: 0/60 psi	_____			

Type 23DDG MiniGauge[®]



	A	B	C	D	E	F	Weight
Inches	0.90	0.55	1.07	0.67	0.56	1/8	.564 oz
(mm)	(23)	(14)	(27)	(17)	(15)	NPT	.016 kg