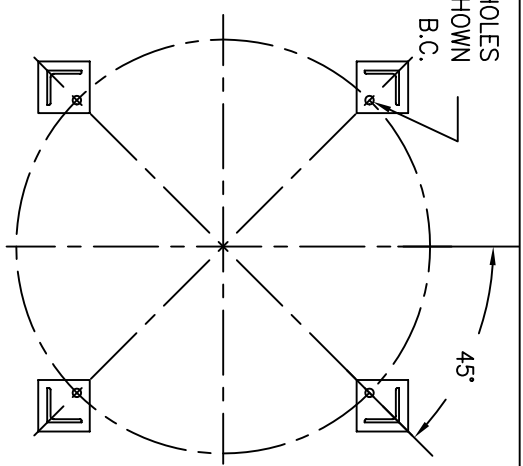


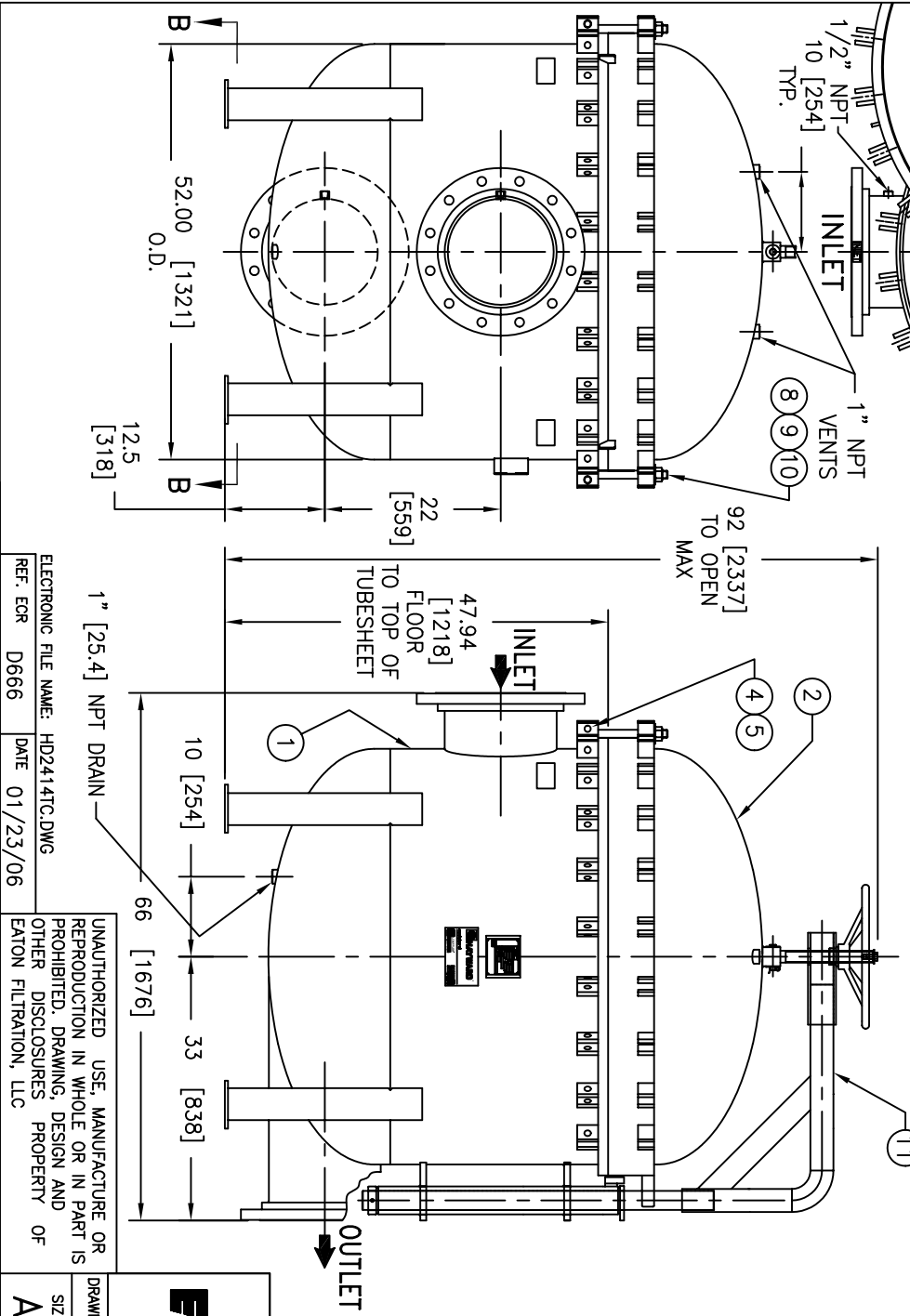
(4) 1" ϕ [22 ϕ] BOLT HOLES
 LOCATED AS SHOWN
 ON 48.13 ϕ [1222 ϕ] B.C.



ITEM	PART NAME	MATERIAL
1	BODY	SA516 GR 70
2	COVER	SA516 GR 70
3	O-RING	BUNA-N
4	PIN	SA193 B7 ZINC PL
5	SNAP RING	STEEL ZINC PL
6	BASKET RESTRAINER	316 SS
7	FILTER BAG RETAINER	316 SS
8	EYE BOLT	SA193 B7 ZINC PL
9	HEX NUT	SA194 2H ZINC PL
10	WASHER	STEEL ZINC PL
11	DAVIT ASSEMBLY	CARBON STEEL

NOTES:

1. UNITS ARE TO BE DESIGNED, FABRICATED & "U" STAMPED IN ACCORDANCE WITH ASME SECT. VIII, DIV. 1 BOILER & PRESSURE VESSEL CODE, IN COMPLIANCE TO LATEST ADDENDA.
2. INLET / OUTLET FLANGE CONNECTIONS PER ANSI B 16.5.
3. DESIGN PRESSURE: 150 PSI (MAMP)
 DESIGN TEMPERATURE 250° F.
 MDMT - -20° F @ 150 PSI.
4. ALL DIMENSIONS ARE IN INCHES / (MM).
5. ALL BOLT HOLES ARE TO STRADDLE NATURAL CENTERLINES.
6. APPROX. WEIGHT (DRY) 2730 LB. (1238 KG.)
7. PAINT C/STL. PER HAYWARD STANDARD ES-301.



ELECTRONIC FILE NAME: HD2414TC.DWG
 REF. ECR D666 DATE 01/23/06

UNAUTHORIZED USE, MANUFACTURE OR REPRODUCTION IN WHOLE OR IN PART IS PROHIBITED. DRAWING, DESIGN AND OTHER DISCLOSURES PROPERTY OF EATON FILTRATION, LLC

	EATON FILTRATION, LLC 900 FAIRMOUNT AVENUE, ELIZABETH, NEW JERSEY 07207	
	NAME: MAXILINE MBF2402HD FILTER VESSEL 14" 150# RF INLET / TANGENTIAL OUTLET CARBON STEEL	
DRAWN: SIGMA/ID DATE: 12/28/00 CERT: LF	DATE: 5/1/01	REV: C
SIZE: A DWG NO: HD2414TC		

CERTIFIED FOR:
 P.O. NO.:
 REG. NO.:
 QUOTE NO.:
 TAG NO.:
 VESSEL CODE: MBF-2402-CS10-140A-UT-13HD
 PART NUMBER: F3AV2400004